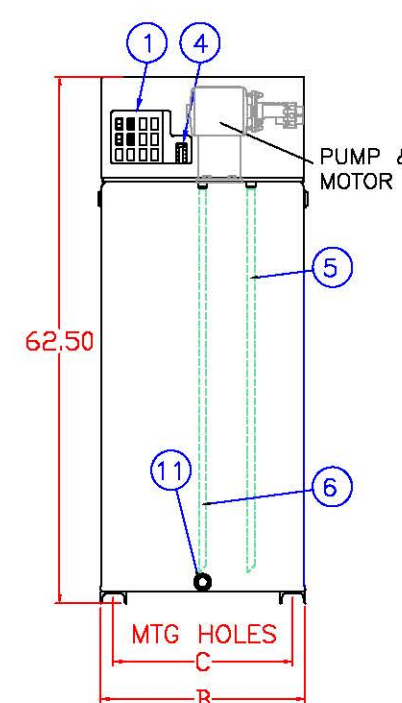
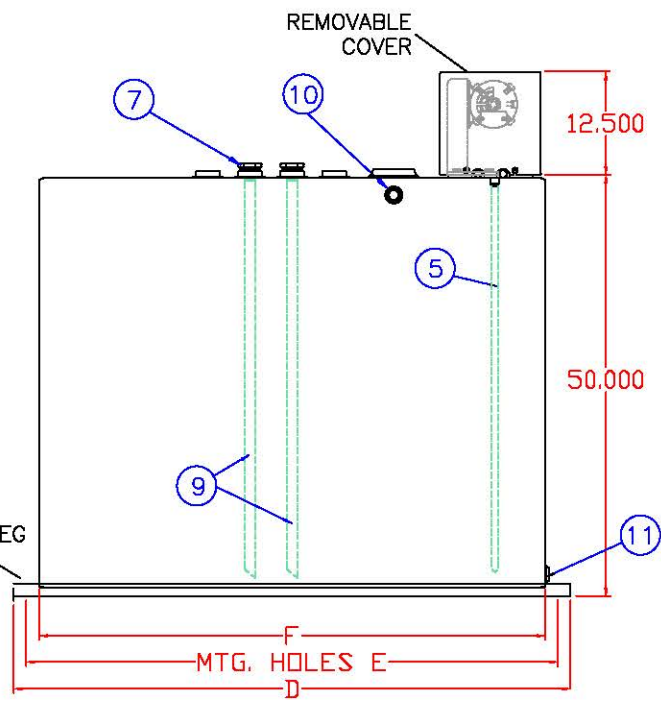


TANK DIMENSION REFERENCE CHART (SHOWN IN INCHES)						
TANK RATED CAPACITY	B - WIDTH (OVER ALL)	C - WIDTH (CTR-TO-CTR MTG HOLES)	D - DEPTH * (OVER ALL)	E - DEPTH * (CTR-TO-CTR MTG HOLES)	F - DEPTH * (ACTUAL TANK)	U/L VENT NPT SIZE (See Note)
200 GAL.	24.00	21.00	54.00	51.00	48.00	4.00
275 GAL.	27.00	24.00	66.00	63.00	60.00	4.00
300 GAL.	28.00	25.00	66.00	63.00	60.00	4.00
400 GAL.	34.00	31.00	72.00	69.00	66.00	4.00
500 GAL.	42.00	39.00	72.00	69.00	66.00	4.00
600 GAL.	42.00	39.00	80.00	77.00	74.00	4.00
700 GAL.	48.00	45.00	82.00	79.00	76.00	4.00
800 GAL.	52.00	49.00	86.00	83.00	80.00	4.00
900 GAL.	56.00	53.00	90.00	87.00	84.00	6.00
1000 GAL.	58.00	55.00	96.00	93.00	90.00	6.00

* Depth dimension - Front-to-Back



REF#	DESCRIPTION OF STANDARD EQUIPMENT
1	CONTROL PANEL
2	6-1/2" X 6-1/2" INSPECTION PLATE
3	6" x 6" MOTOR MOUNTING PLATE
4	1-1/2" NPT - FUEL LEVEL GAUGE
5	FUEL INLET/OUTLET TO/FROM TANK w/DROP TUBES
6	2" x 1" NPT - ENGINE FUEL SUPPLY w/DROP TUBE
7	2" x 1" NPT - ENGINE FUEL RETURN w/DROP TUBE
8	2" NPT - TANK VENT TO ATMOSPHERE
9	1" NPT - DROP TUBES for ENGINE SUPPLY & RETURN
10	1" NPT - OVERFLOW TO MAIN STORAGE TANK
11	1" NPT - TANK DRAIN w/DROP TUBE (PLUGGED)
12	2" NPT - EXTRA CONNECTION
ADDITIONAL EQUIPMENT IF TANK IS U/L LISTED	
40	NPT CONNECTION FOR U/L EMERGENCY RELIEF VENT (See Above Chart For Size)

CONSTRUCTION NOTES	
1 - TANK TOP, BOTTOM, & SHELL - 12 GAUGE STEEL	
2 - DIMENSIONS SUBJECT TO CHANGE WITHOUT NOTICE	

STANDARD SINGLE WALL DAY TANK
 PY200 - PY1000
 PY200UL - PY1000UL (U/L Listed Version)



DRAWN BY: <i>RS</i>	DATE: 03/01/2008
CHECKED BY: <i>DW</i>	REV: 03/01/2008
SHEET NO. 1 of 1	DWG #: STD_SW_C