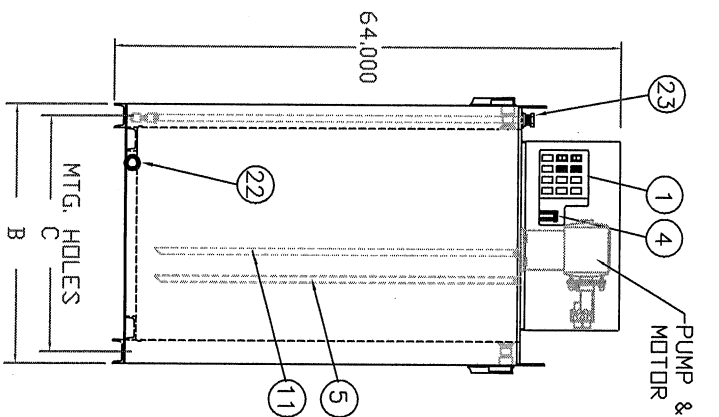
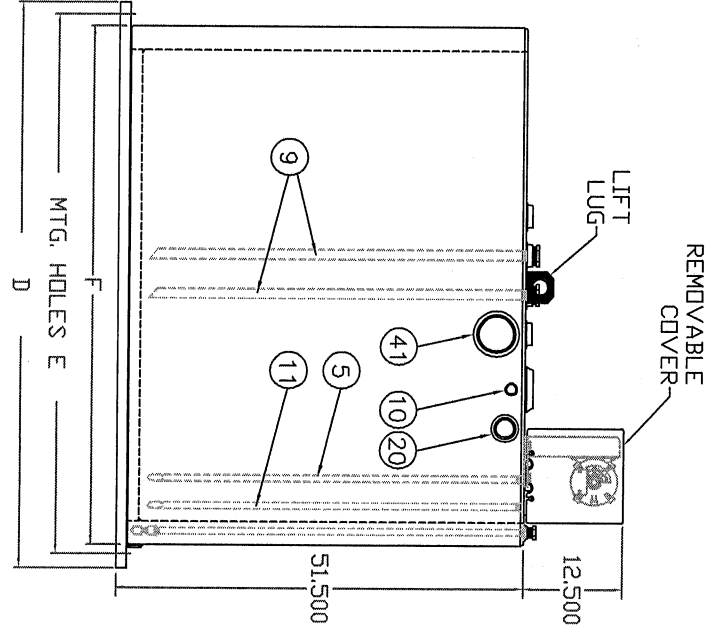
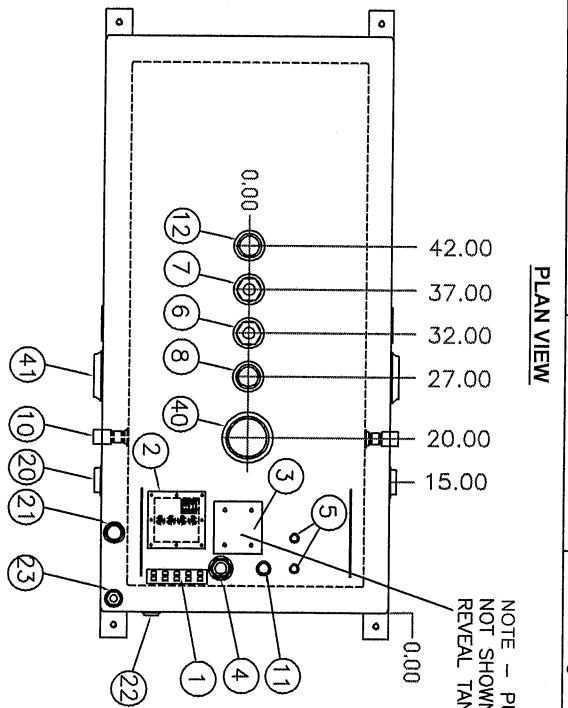


Standard Double Wall Day Tank - PY200DW thru PY1000DW



**TANK DIMENSION REFERENCE CHART (SHOW IN INCHES)**

TANK RATED CAPACITY	B - WIDTH (COVER ALL)	C - WIDTH (CTR-TO-CTR MTG HOLES)	D - DEPTH (COVER ALL)	E - DEPTH (CTR-TO-CTR MTG HOLES)	F - DEPTH (ACTUAL TANK)	U/L VENT NPT SIZE
200 GAL	30.00	27.00	60.00	57.00	54.00	4.00
275 GAL	33.00	30.00	72.00	69.00	66.00	4.00
300 GAL	34.00	31.00	72.00	69.00	66.00	4.00
400 GAL	40.00	37.00	78.00	75.00	72.00	4.00
500 GAL	46.00	43.00	78.00	75.00	72.00	4.00
600 GAL	48.00	45.00	80.00	77.00	74.00	4.00
700 GAL	54.00	51.00	83.00	80.00	77.00	4.00
800 GAL	58.00	55.00	92.00	89.00	86.00	4.00
900 GAL	62.00	59.00	98.00	95.00	92.00	6.00
1000 GAL	64.00	61.00	102.00	99.00	96.00	6.00

\* Depth dimension - Front-to-Back  
 NOTE - Both Tank & Double Wall Secondary Containment Area are vented.

**DESCRIPTION OF STANDARD EQUIPMENT**

REF #	DESCRIPTION
1	CONTROL PANEL
2	6-1/2" X 8-1/2" INSPECTION PLATE
3	6" X 6" MOTOR MOUNTING PLATE
4	1-1/2" NPT - FUEL LEVEL GAUGE
5	FUEL INLET/OUTLET TOP/RM TANK W/DROP TUBES
6	2" X 1/4" NPT - ENGINE FUEL SUPPLY W/DROP TUBE
7	2" X 1/4" NPT - ENGINE FUEL RETURN W/DROP TUBE
8	2" NPT - TANK VENT TO ATMOSPHERE
9	1" NPT - DROP TUBES FOR ENGINE SUPPLY & RETURN
10	1" NPT - OVERFLOW TO MAIN STORAGE TANK
11	1" NPT - TANK DRAIN W/DROP TUBE (P/LUGGED)
12	2" NPT - EXTRA CONNECTION
20	2" NPT - VENT TO ATMOSPHERE for DOUBLE WALL SECONDARY CONTAINMENT AREA
21	1-1/4" NPT - INSPECTION PORT for DOUBLE WALL SECONDARY CONTAINMENT AREA
22	1" NPT - Drain for DOUBLE WALL SECONDARY CONTAINMENT AREA
23	1/2" NPT - For OPTIONAL LEAK DETECTOR (NOT SUPPLIED) for DOUBLE WALL SECONDARY CONTAINMENT AREA
40	NPT CONNECTION FOR U/L EMERGENCY RELIEF VENT (See Above Chart for Size)
41	NPT CONNECTION FOR U/L EMERGENCY RELIEF VENT for DOUBLE WALL SECONDARY CONTAINMENT AREA

**CONSTRUCTION NOTES**

- TANK TOP, BOTTOM, & SHELL - 12 GAUGE STEEL
- DIMENSIONS SUBJECT TO CHANGE WITHOUT NOTICE

**STANDARD DOUBLE WALL DAY TANK**  
 PY200DW - PY1000DW  
 PY200U/DW - PY1000U/DW (U/L Listed Version)

**PRYCO, INC.**  
 MECHANICSBURG, ILLINOIS

DRAWN BY: **RES** | DATE: 03/01/2008  
 CHECKED BY: **AW** | REV: 03/01/2008  
 SHEET NO. 1 of 1 | DWG #: STD\_DW\_C

