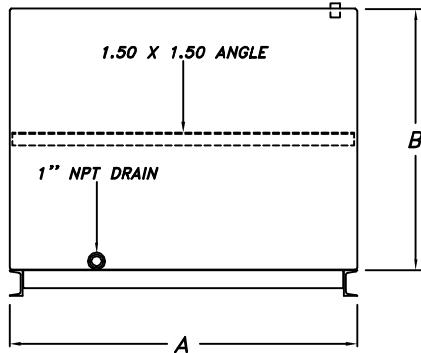
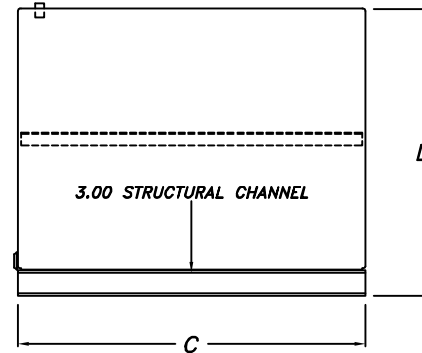


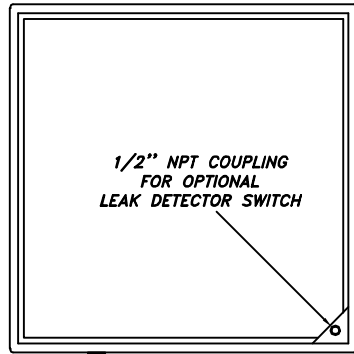
200 % RUPTURE BASIN



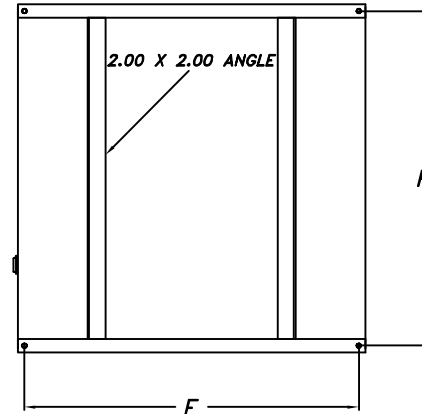
RIGHT SIDE VIEW



FRONT VIEW




TOP VIEW



BOTTOM VIEW

DIM.	50 GAL.	60 GAL.	75 GAL.	100 GAL.	150 GAL.
A	34.00	34.00	34.00	40.00	52.00
B	18.00	21.00	26.00	30.00	34.00
C	40.00	40.00	40.00	40.00	40.00
D	21.00	24.00	29.00	33.00	37.00
E	38.50	38.50	38.50	38.50	38.50
F	32.50	32.50	32.50	38.50	50.50

1.50 X 1.50 ANGLE IS USED WHEN TANK HEIGHT(B) IS 30" OR OVER

RUPTURE BASIN ENDS,BOTTOM & SHELL - 12 GAUGE		
DIMENSION SUBJECT TO CHANGE WITHOUT NOTICE		
200% RUPTURE BASIN FOR PY50 - PY150 SINGLE WALL		
 PRYCO, INC. MECHANICSBURG, IL		
DIMENSIONS IN INCHES	DRAWN BY: RES	SHEET NO: 1 OF 1
	CHECKED BY: R.J.W.	SCALE: 1 = 25
	DATE: 07-20-2000	DWG NUMBER: RB200-B SW