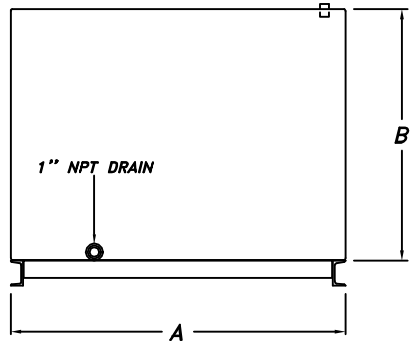
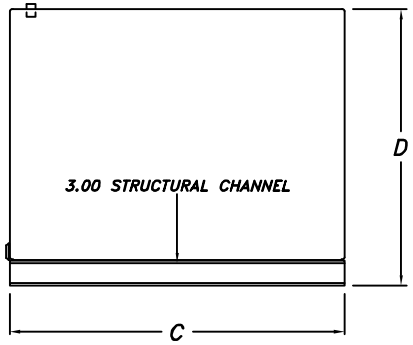


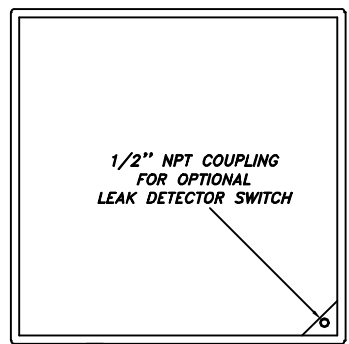
# 200 % RUPTURE BASIN



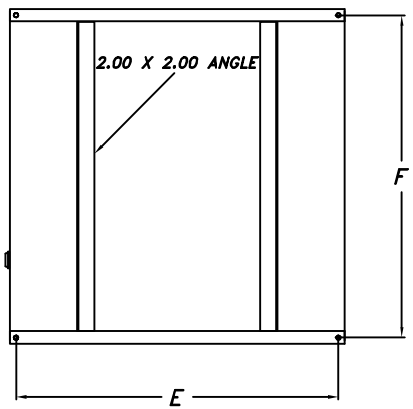
RIGHT SIDE VIEW



FRONT VIEW




TOP VIEW



BOTTOM VIEW

DIM.	10 GAL.	15 GAL.	25 GAL.
A	28.00	28.00	28.00
B	5.00	7.00	11.00
C	40.00	40.00	40.00
D	8.00	10.00	14.00
E	38.50	38.50	38.50
F	26.50	26.50	26.50

RUPTURE BASIN ENDS,BOTTOM & SHELL - 12 GAUGE		
DIMENSION SUBJECT TO CHANGE WITHOUT NOTICE		
200% RUPTURE BASIN FOR PY10 - PY25 SINGLE WALL		
 <b>PRYCO, INC.</b> MECHANICSBURG, IL		
DIMENSIONS IN INCHES	DRAWN BY: RES	SHEET NO: 1 OF 1
	CHECKED BY: R.J.W.	SCALE: NONE
	DATE: 04-14-2000	DWG NUMBER: RB200-A SW