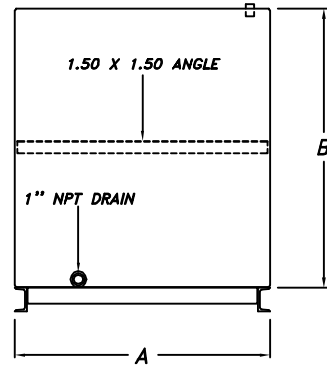
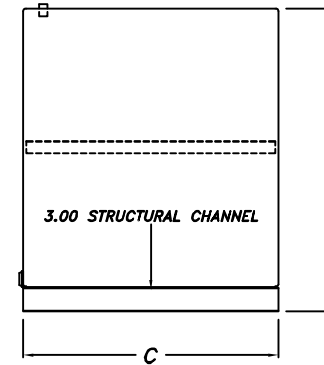


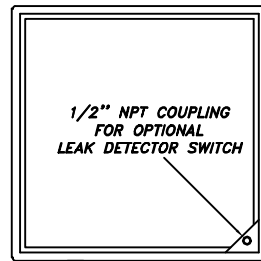
150 % RUPTURE BASIN



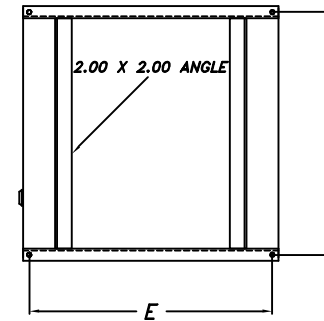
RIGHT SIDE VIEW



FRONT VIEW




TOP VIEW



BOTTOM VIEW

DIM.	50 GAL.	60 GAL.	75 GAL.	100 GAL.	150 GAL.
A	26.00	26.00	26.00	32.00	44.00
B	22.00	26.00	33.00	35.00	38.00
C	32.00	32.00	32.00	32.00	32.00
D	25.00	29.00	36.00	38.00	41.00
E	30.50	30.50	30.50	30.50	30.50
F	24.50	24.50	24.50	30.50	42.50

1.50 X 1.50 ANGLE IS USED WHEN TANK HEIGHT(B) IS 30" OR OVER

RUPTURE BASIN ENDS,BOTTOM & SHELL - 12 GAUGE
 DIMENSION SUBJECT TO CHANGE WITHOUT NOTICE
**150% RUPTURE BASIN FOR
 PY50 - PY150 SINGLE WALL**
 **PRYCO, INC.**
 MECHANICSBURG, IL

DIMENSIONS IN INCHES	DRAWN BY: RES	SHEET NO: 1 OF 1
	CHECKED BY: R.J.W.	SCALE: NONE
	DATE: 07-20-2000	DWG NUMBER: RB150-B SW