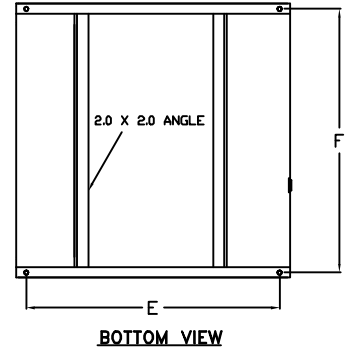
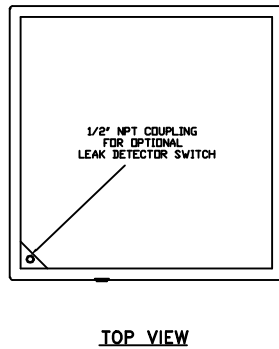
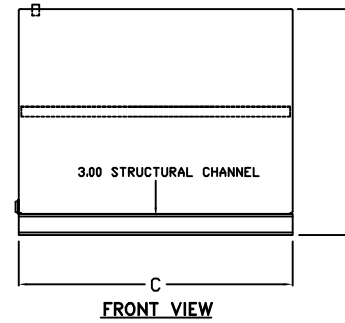
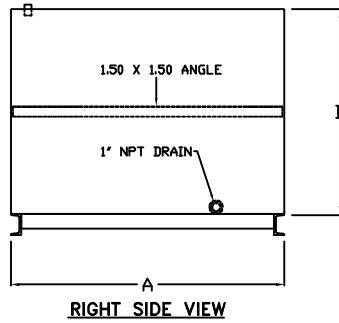


150% RUPTURE BASIN



DIM.	50 GAL.	60 GAL.	75 GAL.	100 GAL.	150 GAL.
A	34.00	34.00	34.00	40.00	53.00
B	18.00	22.00	26.00	30.00	33.00
C	40.00	40.00	40.00	40.00	40.00
D	21.00	25.00	29.00	33.00	36.00
E	38.50	38.50	38.50	38.50	38.50
F	32.50	32.50	32.50	38.50	51.50

1.50 X 1.50 ANGLE IS USED WHEN TANK HEIGHT(B) IS 30" OR OVER

RUPTURE BASIN ENDS,BOTTOM & SHELL - 12 GAUGE	
DIMENSION SUBJECT TO CHANGE WITHOUT NOTICE	
150% RUPTURE BASIN FOR PY50 - PY150 DOUBLE WALL	
DIMENSIONS IN INCHES	DRAWN BY: RES
	CHECKED BY: D.J.W.
	DATE: 07-20-2000
	SHEET NO: 1 OF 1
	SCALE: NONE
	DWG NUMBER: RB150-B DW