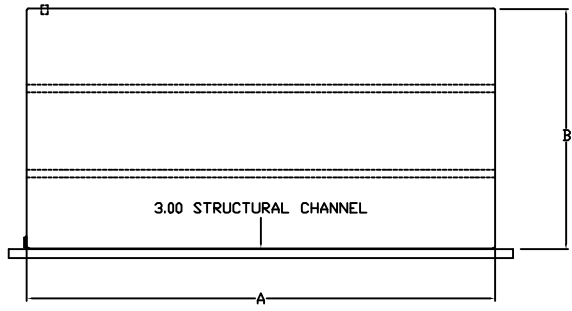
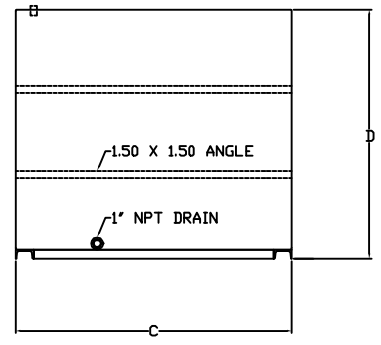


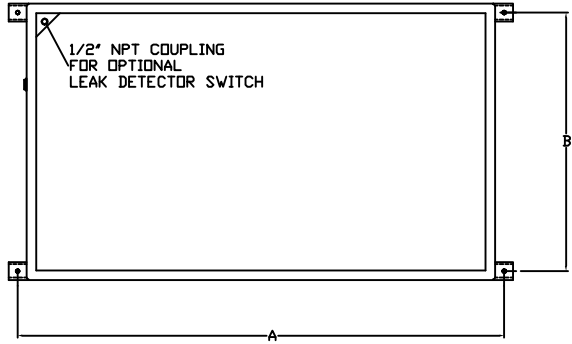
150% RUPTURE BASIN



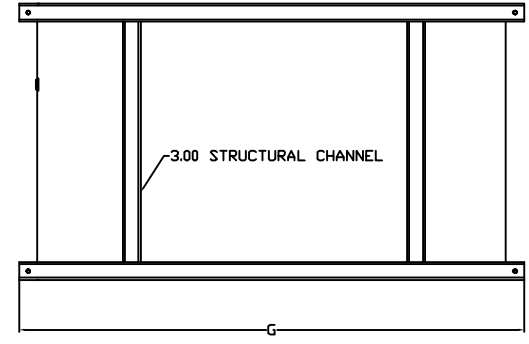
RIGHT SIDE VIEW



FRONT VIEW



TOP VIEW



BOTTOM VIEW

DIM.	200 GAL.	275 GAL.	300 GAL.	400 GAL.	500 GAL.	600 GAL.	700 GAL.	800 GAL.	900 GAL.	1000 GAL.
A	62.00	76.00	78.00	84.00	90.00	102.00	106.00	112.00	118.00	126.00
B	40.00	40.00	40.00	40.00	40.00	40.00	40.00	40.00	40.00	40.00
C	38.00	43.00	46.00	52.00	66.00	70.00	78.00	84.00	90.00	94.00
D	41.50	41.50	41.50	41.50	41.50	41.50	41.50	41.50	41.50	41.50
E	65.00	79.00	81.00	87.00	93.00	105.00	109.00	115.00	121.00	129.00
F	35.00	40.00	43.00	49.00	63.00	67.00	75.00	81.00	87.00	91.00
G	68.00	82.00	84.00	90.00	96.00	108.00	112.00	118.00	124.00	132.00

RUPTURE BASIN ENDS, BOTTOM & SHELL - 12 GAUGE

DIMENSIONS SUBJECT TO CHANGE WITHOUT NOTICE

**150% RUPTURE BASIN FOR
PY200-PY1000 DOUBLE WALL**

PRYCO INC.
MECHANICSBURG, IL

DIMENSIONS IN INCHES	DRAWN BY: RES	SEE DRAWING: NONE
	CHECKED BY: DJW	SCALE: 1" = 3'
	DATE: 07-20-2000	DWG. NUMBER: RB150-C DW