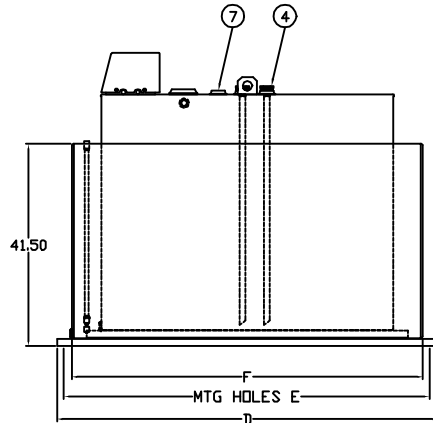
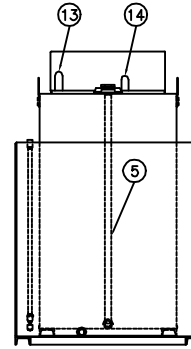


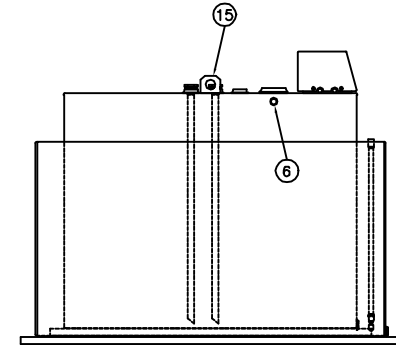
FRONT VIEW



RIGHT SIDE VIEW

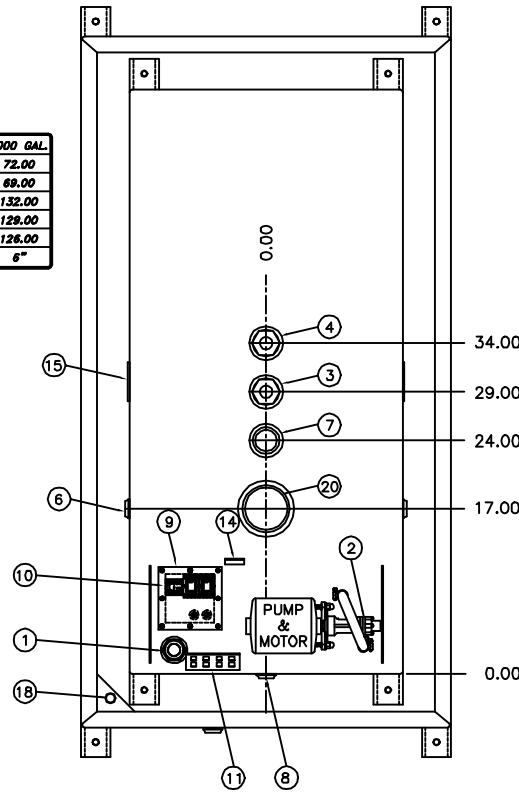


REAR VIEW



LEFT SIDE VIEW

DIM.	200 GAL.	275 GAL.	300 GAL.	400 GAL.	500 GAL.	600 GAL.	700 GAL.	800 GAL.	900 GAL.	1000 GAL.
B	32.00	33.00	38.00	42.00	54.00	58.00	60.00	67.00	72.00	72.00
C	29.00	32.00	35.00	39.00	51.00	55.00	57.00	64.00	69.00	69.00
D	66.00	78.00	78.00	84.00	90.00	100.00	110.00	114.00	118.00	132.00
E	63.00	75.00	75.00	81.00	87.00	97.00	107.00	111.00	115.00	129.00
F	60.00	72.00	72.00	78.00	84.00	94.00	104.00	108.00	112.00	126.00
VENT	4"	4"	4"	4"	4"	4"	4"	4"	6"	6"



TOP VIEW
(SCALE: 2X)

DESCRIPTION OF STANDARD EQUIPMENT

- 1 1 1/2" NPT FOR FUEL LEVEL GAUGE
- 2 3/8" NPT FUEL INLET TO PUMP
- 3 2" x 1" NPT ENGINE FUEL SUPPLY W/PIPE STEM
- 4 2" x 1" NPT ENGINE FUEL RETURN W/PIPE STEM
- 5 1" NPT PIPE STEMS FOR ENGINE SUPPLY & RETURN
- 6 1" NPT OVERFLOW TO MAIN STORAGE TANK
- 7 2" NPT VENT FOR TANK TO ATMOSPHERE
- 8 1" NPT TANK DRAIN (PLUGGED)
- 9 6 1/2" X 6 1/2" INSPECTION PLATE
- 10 PUMP AND ALARM SENSORS
- 11 CONTROL PANEL
- 12 REMOVABLE COVER
- 13 FUEL INLET THRU COVER
- 14 ELECTRICAL INLET THRU COVER
- 15 7 GAUGE LIFTING LUG W/2" HOLE
- 18 NPT FOR OPTIONAL LEAK DETECTOR

ADDITIONAL EQUIPMENT FOR U/L LISTED

- 20 NPT FOR U/L EMERGENCY RELIEF VALVE(SEE CHART FOR SIZE)

CONSTRUCTION NOTES

TANK TOP,BOTTOM & SHELL - 12 GAUGE
DIMENSIONS SUBJECT TO CHANGE WITHOUT NOTICE

DAY TANK
PY200-PY1000 (200 - 1000 GALLONS)
WITH RUPTURE BASIN

PRYCO INC.
MECHANICSBURG, IL

DIMENSIONS
IN INCHES

DRAWN BY: RES
CHECKED BY: DJW
DATE: 07-21-2000

SEE DRAWING: NONE
SCALE: 1 = 35
DWG. NUMBER: STD-C SW RB