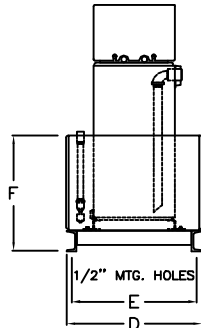
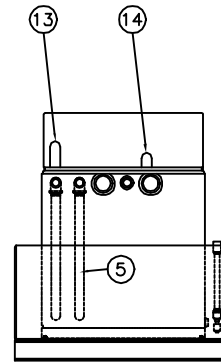


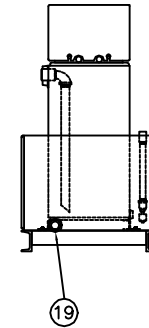
FRONT VIEW



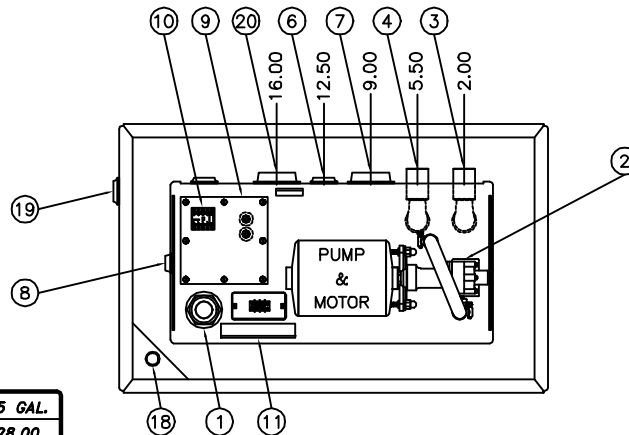
RIGHT SIDE VIEW



REAR VIEW



LEFT SIDE VIEW



ENLARGED TOP VIEW

DIM.	10 GAL.	15 GAL.	25 GAL.
A	17.00	23.00	28.00
B	32.00	32.00	32.00
C	30.50	30.50	30.50
D	20.00	20.00	20.00
E	18.50	18.50	18.50
F	11.00	12.00	17.00
VENT	2"	2"	2"

DESCRIPTION STANDARD OF EQUIPMENT	
1	1 1/2" NPT FOR FUEL LEVEL GAUGE
2	3/8" NPT FUEL INLET TO PUMP
3	1" NPT ENGINE FUEL SUPPLY
4	1" NPT ENGINE FUEL RETURN
5	1" NPT PIPE STEMS FOR ENGINE FUEL SUPPLY & RETURN
6	1" NPT OVERFLOW TO MAIN STORAGE TANK
7	2" NPT ATMOSPHERIC VENT FOR TANK
8	1/4" NPT TANK DRAIN
9	6 1/2" X 6 1/2" REMOVABLE INSPECTION PLATE
10	PUMP AND ALARM SENSORS
11	LOCAL CONTROL PANEL
12	REMOVABLE COVER
13	FUEL INLET THRU REMOVABLE COVER
14	ELECTRICAL INLET THRU REMOVABLE COVER
18	NPT FOR OPTIONAL LEAK DETECTOR
19	1" NPT RUPTURE BASIN DRAIN (PLUGGED)

ADDITIONAL EQUIPMENT FOR U/L LISTED	
20	U/L EMERGENCY RELIEF VENT FOR TANK (SEE CHART FOR SIZE)

CONSTRUCTION NOTES
 TANK TOP, BOTTOM & SHELL - 12 GAUGE
 RUPTURE BASIN BOTTOM & SHELL - 12 GAUGE
 DIMENSION SUBJECT TO CHANGE WITHOUT NOTICE

DAY TANK
 PY10 - PY25 (10 - 25 GALLONS)
 WITH RUPTURE BASIN



DIMENSIONS IN INCHES	DRAWN BY: RES	SHEET NO: 1 OF 1
	CHECKED BY: D.J.W.	SCALE: 1 = 25
	DATE: 07-21-2000	DWG NUMBER: STD-A SW RB

CONSULT FACTORY FOR STANDARD PY5 (FIVE GALLON TANK CAPACITY) NOT SHOWN