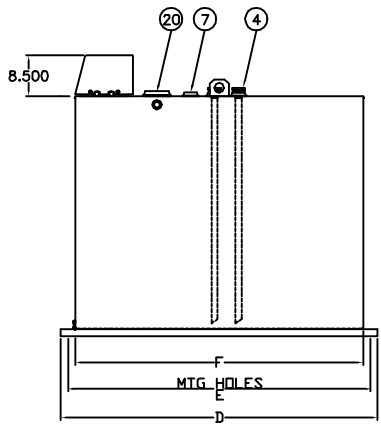
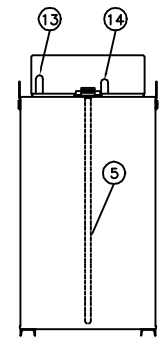


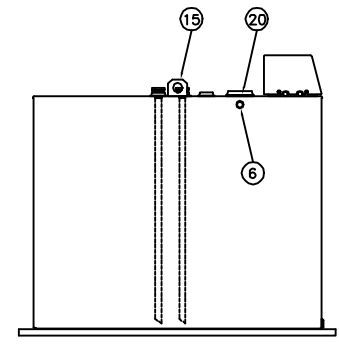
FRONT VIEW



RIGHT SIDE VIEW

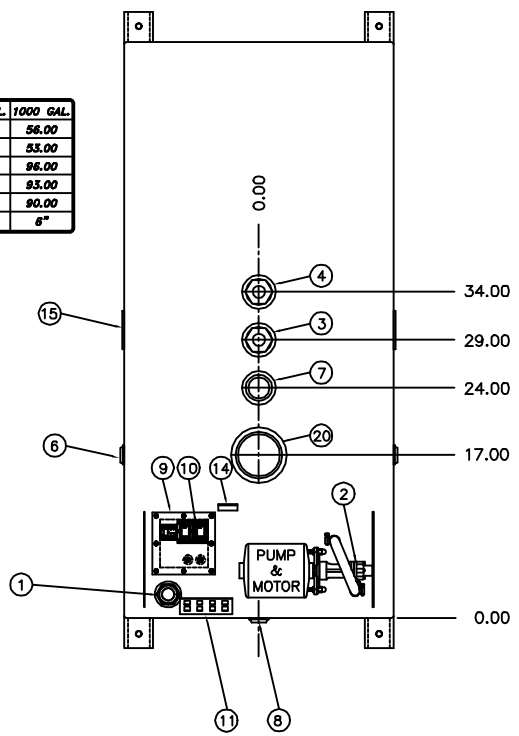


REAR VIEW



LEFT SIDE VIEW

DIM.	200 GAL.	275 GAL.	300 GAL.	400 GAL.	500 GAL.	600 GAL.	700 GAL.	800 GAL.	900 GAL.	1000 GAL.
B	24.00	27.00	28.00	34.00	42.00	42.00	48.00	52.00	56.00	56.00
C	21.00	24.00	23.00	31.00	39.00	39.00	45.00	49.00	53.00	53.00
D	54.00	66.00	66.00	72.00	72.00	80.00	82.00	86.00	90.00	96.00
E	51.00	63.00	63.00	69.00	69.00	77.00	79.00	83.00	87.00	93.00
F	48.00	60.00	60.00	66.00	66.00	74.00	76.00	80.00	84.00	90.00
VENT	4"	4"	4"	4"	4"	4"	4"	4"	6"	6"



TOP VIEW
(SCALE: 2X)

DESCRIPTION OF STAANDARD EQUIPMENT	
1	1 1/2" NPT FOR FUEL LEVEL GAUGE
2	3/8" NPT FUEL INLET TO PUMP
3	2" x 1" NPT ENGINE FUEL SUPPLY W/PIPE STEM
4	2" x 1" NPT ENGINE FUEL RETURN W/PIPE STEM
5	1" NPT PIPE STEMS FOR ENGINE SUPPLY & RETURN
6	1" NPT OVERFLOW TO MAIN STORAGE TANK
7	2" NPT VENT FOR TANK TO ATMOSPHERE
8	1" NPT TANK DRAIN (PLUGGED)
9	6 1/2" X 6 1/2" INSPECTION PLATE
10	PUMP AND ALARM SENSORS
11	CONTROL PANEL
12	REMOVABLE COVER
13	FUEL INLET THRU COVER
14	ELECTRICAL INLET THRU COVER
15	7 GAUGE LIFTING LUG W/2" HOLE

ADDITIONAL EQUIPMENT FOR U/L LISTED	
20	NPT U/L EMERGENCY RELIEF VENT FOR TANK(SEE CHART)

CONSTRUCTION NOTES
TANK TOP, BOTOM & SHELL - 12 GAUGE
DIMENSIONS SUBJECT TO CHANGE WITHOUT NOTICE

DAY TANK
PY200-PY1000 (200 - 1000 GALLONS)



DIMENSIONS IN INCHES	DRAWN BY: RES	SEE DRAWING: NONE
	CHECKED BY: DJW	SCALE: 1 = 35
	DATE: 07-21-2000	DWG. NUMBER: STD-C SW