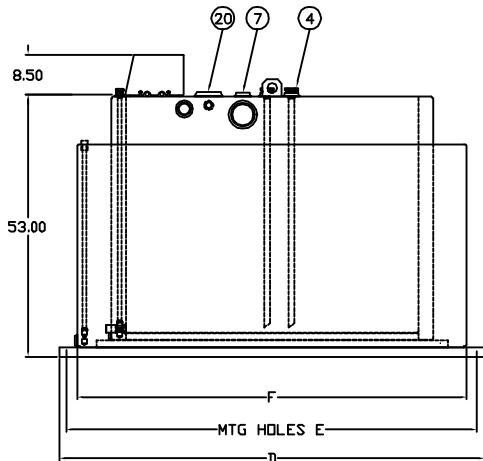
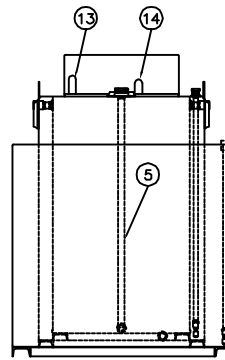


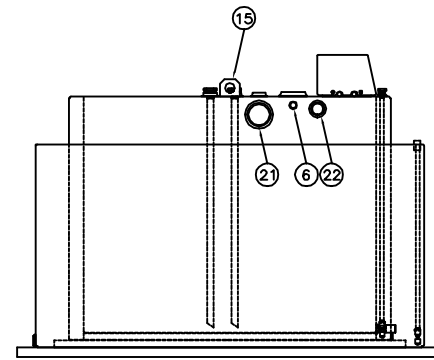
FRONT VIEW



RIGHT SIDE VIEW

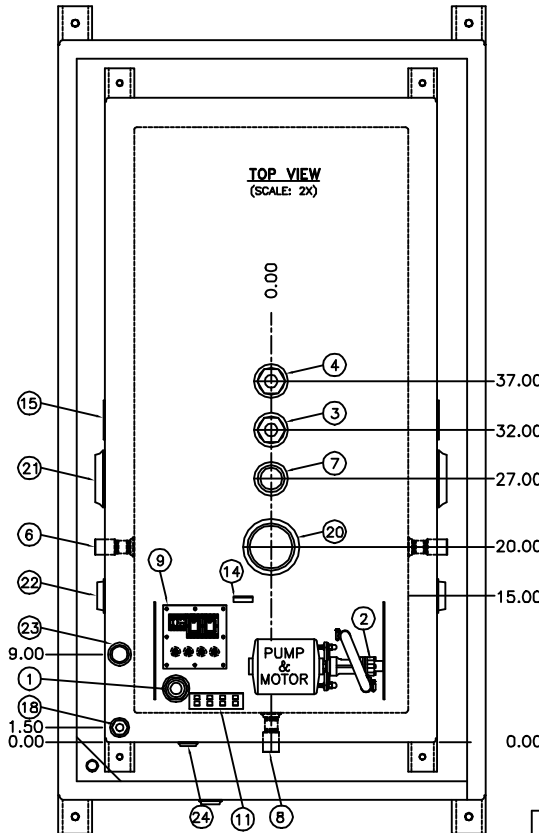


REAR VIEW



LEFT SIDE VIEW

DIM.	200 GAL.	275 GAL.	300 GAL.	400 GAL.	500 GAL.	600 GAL.	700 GAL.	800 GAL.	900 GAL.	1000 GAL.
B	38.00	43.00	46.00	52.00	66.00	70.00	78.00	84.00	90.00	94.00
C	35.00	40.00	43.00	49.00	63.00	67.00	75.00	81.00	87.00	91.00
D	68.00	82.00	84.00	90.00	96.00	108.00	112.00	118.00	124.00	132.00
E	65.00	79.00	81.00	87.00	93.00	105.00	109.00	115.00	121.00	129.00
F	82.00	76.00	78.00	84.00	90.00	102.00	106.00	112.00	118.00	126.0
VENT	4"	4"	4"	4"	4"	4"	4"	4"	6"	6"



DESCRIPTION OF STANDARD EQUIPMENT

- 1 1 1/2" NPT FOR FUEL LEVEL GAUGE
- 2 3/8" NPT FUEL INLET TO PUMP
- 3 2" x 1" NPT ENGINE FUEL SUPPLY W/PIPE STEM
- 4 2" x 1" NPT ENGINE FUEL RETURN W/PIPE STEM
- 5 1" NPT PIPE STEMS FOR ENGINE SUPPLY & RETURN
- 6 1" NPT OVERFLOW TO MAIN STORAGE TANK
- 7 2" NPT VENT FOR TANK TO ATMOSPHERE
- 8 1" NPT TANK DRAIN (PLUGGED)
- 9 6 1/2" X 6 1/2" REMOVABLE INSPECTION PLATE
- 10 PUMP AND ALARM SENSORS
- 11 CONTROL PANEL
- 12 REMOVABLE COVER
- 13 FUEL INLET THRU COVER
- 14 ELECTRICAL INLET THRU COVER
- 15 7 GAUGE LIFTING LUG W/2" HOLE
- 18 NPT FOR OPTIONAL LEAK DETECTOR
- 19 1" NPT RUPTURE BASIN DRAIN (PLUGGED)
- 22 2" NPT VENT FOR DOUBLE WALL TO ATMOSPHERE
- 23 1 1/4" NPT DOUBLE WALL INSPECTION FITTING
- 24 1" NPT DOUBLE WALL DRAIN (PLUGGED)

ADDITIONAL EQUIPMENT FOR U/L LISTED

- 20 NPT U/L EMERGENCY RELIEF VENT FOR TANK (SEE CHART)
- 21 NPT U/L EMERGENCY RELIEF VENT FOR DW (SEE CHART)

CONSTRUCTION NOTES

TANK TOP, BOTTOM & SHELL - 12 GAUGE
 DIMENSION SUBJECT TO CHANGE WITHOUT NOTICE

DAY TANK

PY200-PY1000 (200 - 1000 GALLONS)
 WITH DOUBLE WALL AND RUPTURE BASIN



DIMENSIONS
 IN INCHES

DRAWN BY: RES
 CHECKED BY: DJW
 DATE: 07-21-2000

SEE DRAWING: NONE
 SCALE: NONE
 DWG. NUMBER: STD-C DW RB