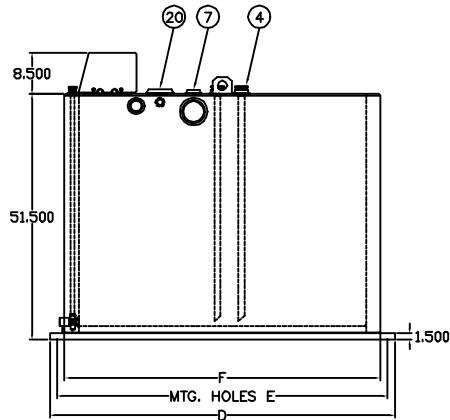
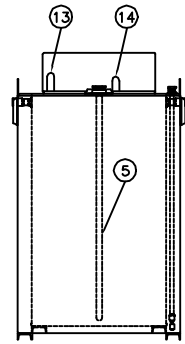


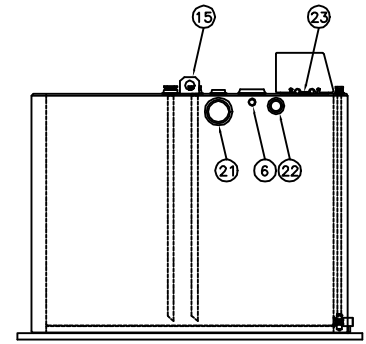
FRONT VIEW



RIGHT SIDE VIEW

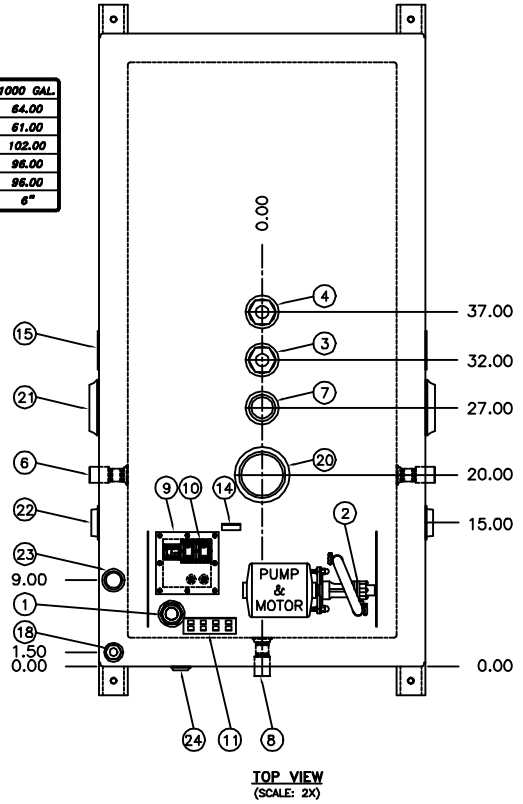


REAR VIEW



LEFT SIDE VIEW

DIM.	200 GAL.	275 GAL.	300 GAL.	400 GAL.	500 GAL.	600 GAL.	700 GAL.	800 GAL.	900 GAL.	1000 GAL.
B	30.00	33.00	34.00	40.00	48.00	48.00	54.00	58.00	62.00	64.00
C	27.00	30.00	31.00	37.00	45.00	45.00	51.00	55.00	59.00	61.00
D	60.00	72.00	72.00	78.00	78.00	86.00	88.00	92.00	96.00	102.00
E	57.00	69.00	69.00	72.00	72.00	80.00	82.00	86.00	90.00	96.00
F	54.00	66.00	66.00	72.00	72.00	80.00	82.00	86.00	90.00	96.00
VENT	4"	4"	4"	4"	4"	4"	4"	4"	6"	6"



TOP VIEW
(SCALE: 2X)

DESCRIPTION OF STANDARD EQUIPMENT	
1	1 1/2" NPT FOR FUEL LEVEL GAUGE
2	3/8" NPT FUEL INLET TO PUMP
3	2" x 1" NPT ENGINE FUEL SUPPLY W/PIPE STEM
4	2" x 1" NPT ENGINE FUEL RETURN W/PIPE STEM
5	1" NPT PIPE STEMS FOR ENGINE SUPPLY & RETURN
6	1" NPT OVERFLOW TO MAIN STORAGE TANK
7	2" NPT VENT FOR TANK TO ATMOSPHERE
8	1" NPT TANK DRAIN (PLUGGED)
9	6 1/2" X 6 1/2" INSPECTION PLATE
10	PUMP AND ALARM SENSORS
11	CONTROL PANEL
12	REMOVABLE COVER
13	FUEL INLET THRU COVER
14	ELECTRICAL INLET THRU COVER
15	7 GAUGE LIFTING LUG W/2" HOLE
18	NPT FOR OPTIONAL LEAK DETECTOR
22	2" NPT VENT FOR DOUBLE WALL TO ATMOSPHERE
23	1 1/4" NPT DOUBLE WALL INSPECTION FITTING
24	1" NPT DOUBLE WALL DRAIN (PLUGGED)

ADDITIONAL EQUIPMENT FOR U/L LISTED	
20	4" NPT U/L EMERGENCY RELIEF VENT FOR TANK
21	4" NPT U/L EMERGENCY RELIEF VENT FOR DW

CONSTRUCTION NOTES
 TAN TOP, BOTTOM & SHELL - 12 GAUGE
 DIMENSIONS SUBJECT TO CHANGE WITHOUT NOTICE
 DAY TANK
 PY200-PY1000 (200 - 1000 GALLONS)
 WITH DOUBLE WALL



DIMENSIONS IN INCHES	DRAWN BY: RES CHECKED BY: DJW DATE: 07-21-2000	SEE DRAWING: NONE SCALE: 1 = 35 DWG. NUMBER: STD-C DW
----------------------	--	---