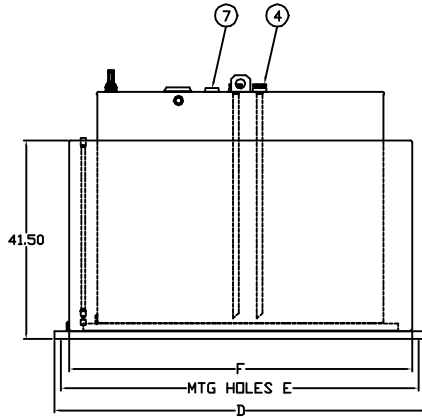
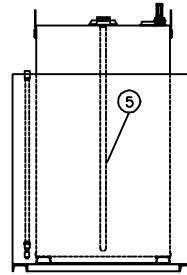


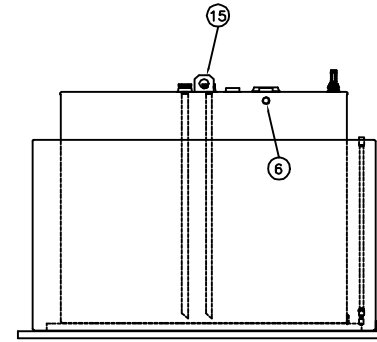
FRONT VIEW



RIGHT SIDE VIEW

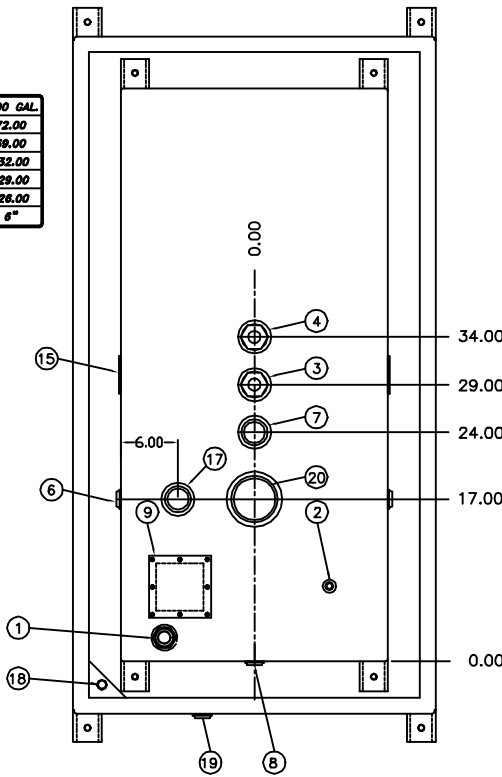


REAR VIEW



LEFT SIDE VIEW

DIM.	200 GAL.	275 GAL.	300 GAL.	400 GAL.	500 GAL.	600 GAL.	700 GAL.	800 GAL.	900 GAL.	1000 GAL.
B	32.00	35.00	38.00	42.00	54.00	58.00	60.00	67.00	72.00	72.00
C	29.00	32.00	35.00	39.00	51.00	55.00	57.00	64.00	69.00	69.00
D	66.00	78.00	78.00	84.00	90.00	100.00	110.00	114.00	118.00	132.00
E	63.00	75.00	75.00	81.00	87.00	97.00	107.00	111.00	115.00	129.00
F	60.00	72.00	72.00	78.00	84.00	94.00	104.00	108.00	112.00	126.00
VENT	4"	4"	4"	4"	4"	4"	4"	4"	6"	6"



TOP VIEW
(SCALE: 2X)

DESCRIPTION OF STANDARD EQUIPMENT

- 1 1 1/2" NPT FOR FUEL LEVEL GAUGE
- 2 3/8" NPT FUEL INLET TO TANK
- 3 2" x 1" NPT ENGINE FUEL SUPPLY
- 4 2" x 1" NPT ENGINE FUEL RETURN
- 5 1" NPT PIPE STEMS FOR ENGINE SUPPLY & RETURN
- 6 1" NPT OVERFLOW TO MAIN STORAGE TANK
- 7 2" NPT VENT FOR TANK TO ATMOSPHERE
- 8 1" NPT TANK DRAIN (PLUGGED)
- 9 6 1/2" x 6 1/2" INSPECTION PLATE
- 15 7 GAUGE LIFTING LUG W/2" HOLE
- 17 2" NPT FOR MANUAL FILL
- 18 NPT FOR OPTIONAL LEAK DETECTOR
- 19 1" NPT RUPTURE BASIN DRAIN

ADDITIONAL EQUIPMENT FOR U/L LISTED

- 20 NPT FOR U/L EMERGENCY RELIEF VALVE(SEE CHART FOR SIZE)

CONSTRUCTION NOTES

TANK TOP,BOTTOM & SHELL - 12 GAUGE
DIMENSIONS SUBJECT TO CHANGE WITHOUT NOTICE

MANUAL DAY TANK
PY200-PY1000 (200 - 1000 GALLONS)
WITH RUPTURE BASIN

PRYCO INC.
MECHANICSBURG, IL

DIMENSIONS
IN INCHES

DRAWN BY: RES
CHECKED BY: DJW
DATE: 07-21-2000

SEE DRAWING: NONE
SCALE: 1 = 35
DWG. NUMBER:MAN-C SW RB