



This drip basin (Option # 229) is designed to catch any fuel dripping from the fill hose.

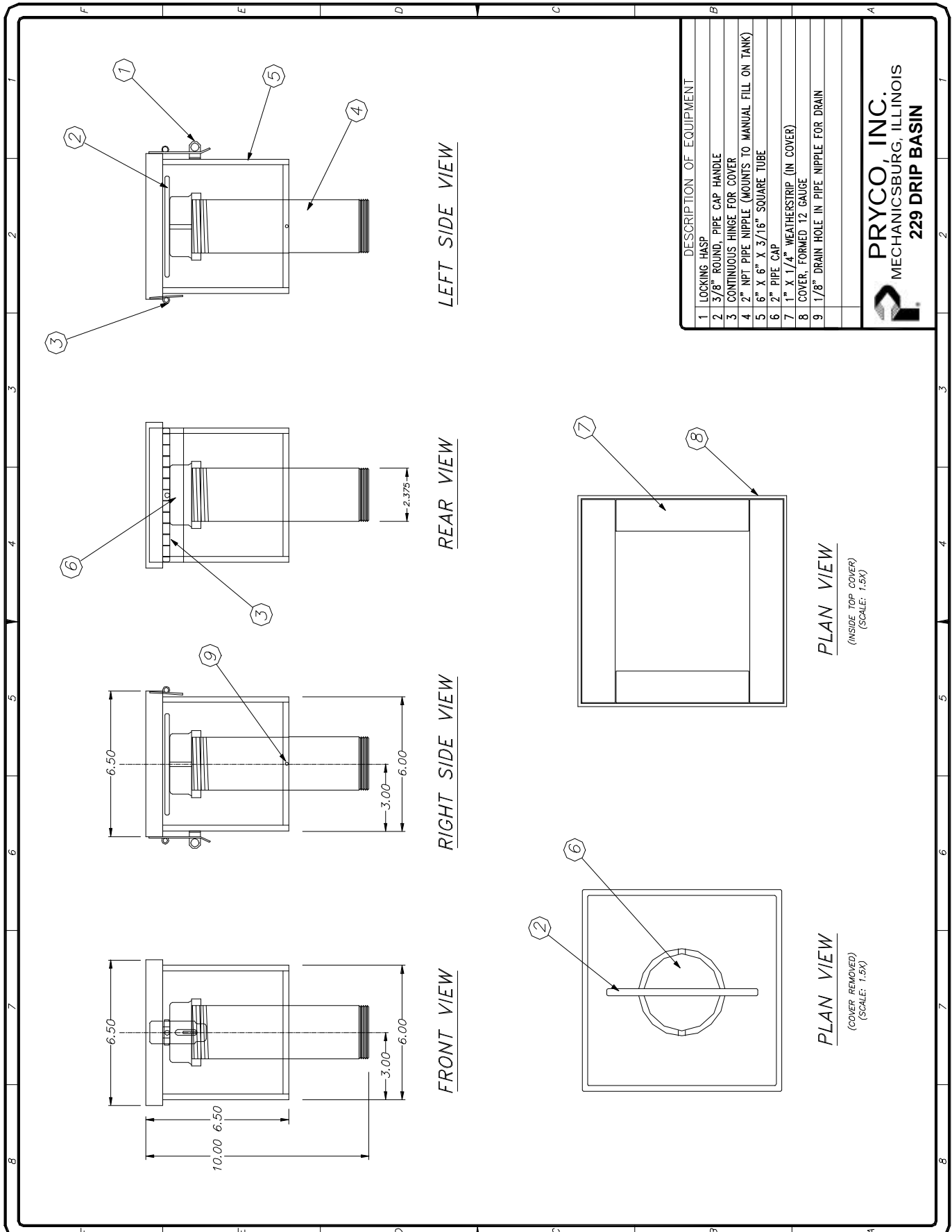
Its capacity is one gallon and has a drain hole inside of the basin to allow dripped fuel to run into tank.

The basin lid comes with a gasket and a lockable hasp. The basin is epoxy coated inside and painted an industrial color of choice outside.

A mechanical drawing of a Drip Basin is on the reverse side.



# 229 DRIP BASIN



DESCRIPTION OF EQUIPMENT	
1	LOCKING HASP
2	3/8" ROUND, PIPE CAP HANDLE
3	CONTINUOUS HINGE FOR COVER
4	2" NPT PIPE NIPPLE (MOUNTS TO MANUAL FILL ON TANK)
5	6" X 6" X 3/16" SQUARE TUBE
6	2" PIPE CAP
7	1" X 1/4" WEATHERSTRIP (IN COVER)
8	COVER, FORMED 12 GAUGE
9	1/8" DRAIN HOLE IN PIPE NIPPLE FOR DRAIN

**PRYCO, INC.**  
 MECHANICSBURG, ILLINOIS  
**229 DRIP BASIN**