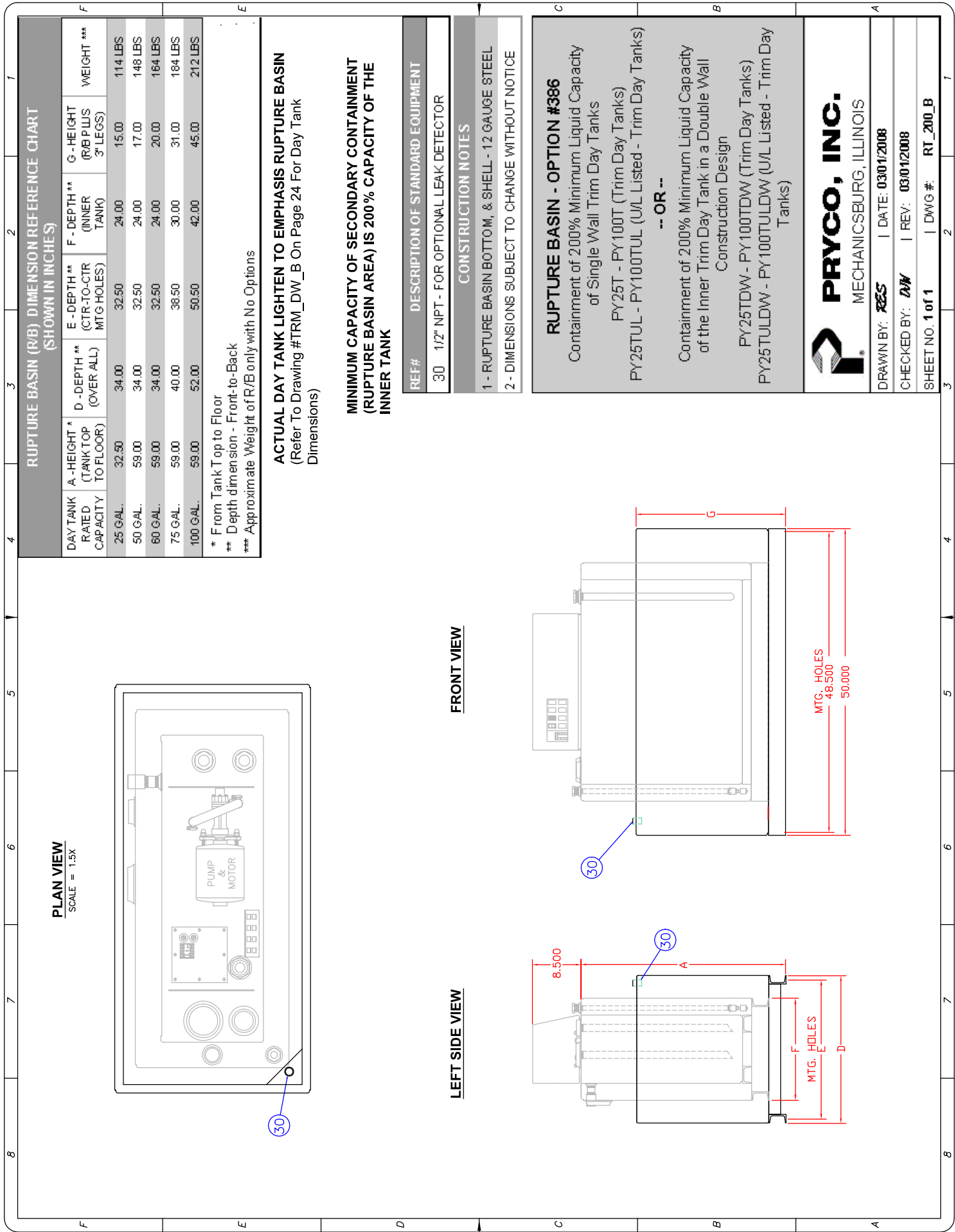


# 200% Rupture Basin for Trim Day Tank - 25 thru 100 Gallon Capacity



**RUPTURE BASIN (R/B) DIMENSION REFERENCE CHART**  
(SHOWN IN INCHES)

DAY TANK RATED CAPACITY	A - HEIGHT * (TANK TOP TO FLOOR)	D - DEPTH ** (OVER ALL)	E - DEPTH ** (CTR-TO-CTR M/TG HOLES)	F - DEPTH ** (INNER TANK)	G - HEIGHT (R/B PLUS 3" LEGS)	WEIGHT ***
25 GAL.	32.50	34.00	32.50	24.00	15.00	114 LBS
50 GAL.	59.00	34.00	32.50	24.00	17.00	148 LBS
60 GAL.	59.00	34.00	32.50	24.00	20.00	164 LBS
75 GAL.	59.00	40.00	38.50	30.00	31.00	184 LBS
100 GAL.	59.00	52.00	50.50	42.00	45.00	212 LBS

\* From Tank Top to Floor  
 \*\* Depth dimension - Front-to-Back  
 \*\*\* Approximate Weight of R/B only with No Options

**ACTUAL DAY TANK LIGHTEN TO EMPHASIS RUPTURE BASIN**  
 (Refer To Drawing #TRM\_DW\_B On Page 24 For Day Tank Dimensions)

**MINIMUM CAPACITY OF SECONDARY CONTAINMENT (RUPTURE BASIN AREA) IS 200% CAPACITY OF THE INNER TANK**

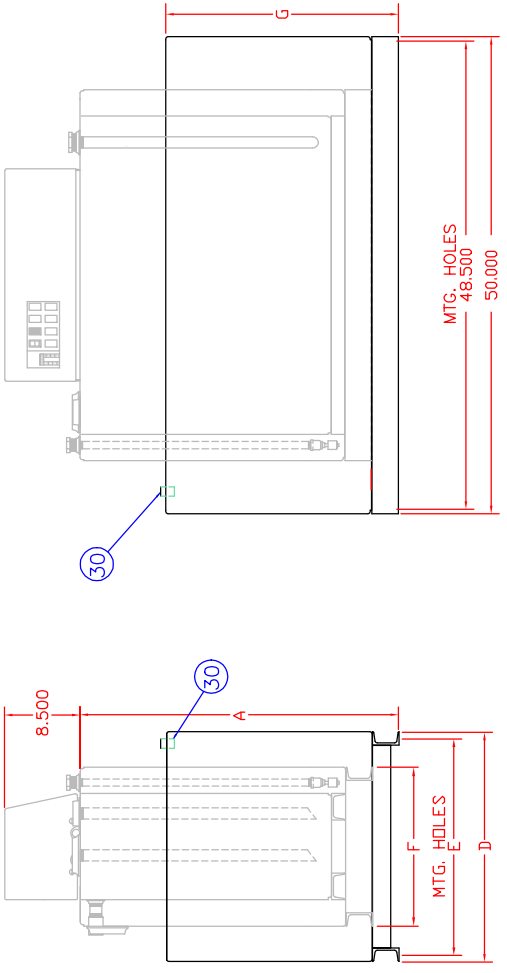
REF#	DESCRIPTION OF STANDARD EQUIPMENT
30	1 1/2" NPT - FOR OPTIONAL LEAK DETECTOR

**CONSTRUCTION NOTES**

- 1 - RUPTURE BASIN BOTTOM, & SHELL - 12 GAUGE STEEL
- 2 - DIMENSIONS SUBJECT TO CHANGE WITHOUT NOTICE

**FRONT VIEW**

**LEFT SIDE VIEW**



**RUPTURE BASIN - OPTION #386**  
 Containment of 200% Minimum Liquid Capacity of Single Wall Trim Day Tanks  
 PY25T - PY100T (Trim Day Tanks)  
 PY25TUL - PY100TUL (U/L Listed - Trim Day Tanks)  
**--OR--**  
 Containment of 200% Minimum Liquid Capacity of the Inner Trim Day Tank in a Double Wall Construction Design  
 PY25TDW - PY100TDW (Trim Day Tanks)  
 PY25TULDW - PY100TULDW (U/L Listed - Trim Day Tanks)



DRAWN BY: **RES** | DATE: **03/01/2008**  
 CHECKED BY: **DAW** | REV: **03/01/2008**  
 SHEET NO. **1 of 1** | DWG #: **RT\_200\_B**