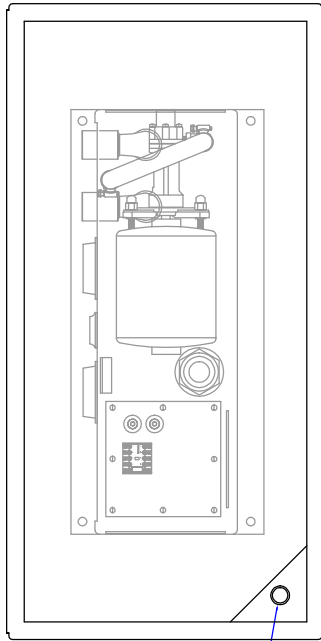


150% Rupture Basin for Trim Day Tank - 10 Gallon Capacity

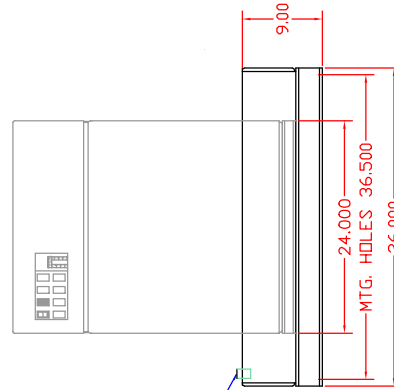
PLAN VIEW
SCALE = 2X



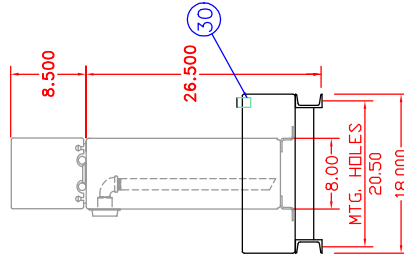
ACTUAL DAY TANK LIGHTEN TO EMPHASIS RUPTURE BASIN
(Refer To Drawing #TRM_SW_A On Page 21 For Day Tank Dimensions)

MINIMUM CAPACITY OF SECONDARY CONTAINMENT (RUPTURE BASIN AREA) IS 150% CAPACITY OF THE INNER TANK

FRONT VIEW



LEFT SIDE VIEW



REF#	DESCRIPTION OF STANDARD EQUIPMENT
30	1/2" NPT - FOR OPTIONAL LEAK DETECTOR
CONSTRUCTION NOTES	
1	RUPTURE BASIN BOTTOM, & SHELL - 12 GAUGE STEEL
2	DIMENSIONS SUBJECT TO CHANGE WITHOUT NOTICE
RUPTURE BASIN - OPTION #385 Containment of 150% Minimum Liquid Capacity of Trim Day Tanks	
PY10T (Trim Day Tank)	
PY10TUL (U/L Listed - Trim Day tank)	
PRYCO, INC. MECHANICSBURG, ILLINOIS	
DRAWN BY: RES	DATE: 03/01/2008
CHECKED BY: AW	REV: 03/01/2008
SHEET NO. 1 of 1 DWG #: RT_150_A	