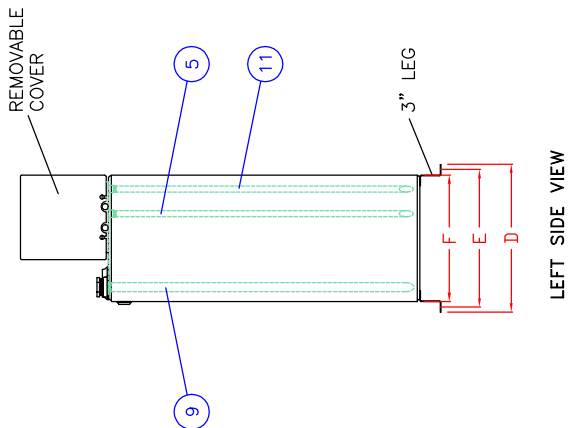
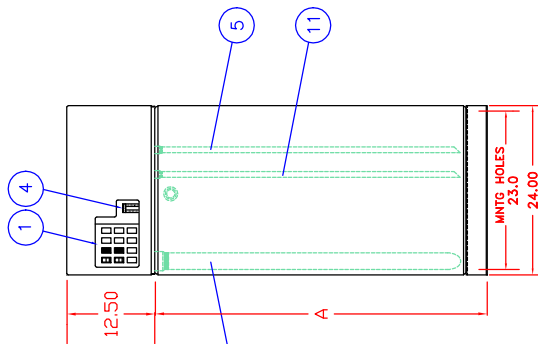
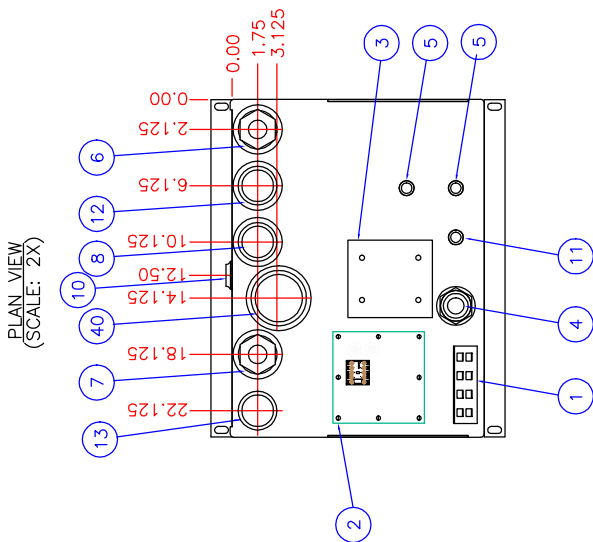


Manual Single Wall Day Tank - PY150M thru PY150M

TANK DIMENSION REFERENCE CHART (SHOWN IN INCHES)

TANK RATED CAPACITY	A - HEIGHT (TANK)	D - DEPTH* (OVERALL)	E - MTG HOLES (CTR-TO-CTR)	F - DEPTH* (INNER TANK)	U/L VENT NPT SIZE
50 GAL.	33.50	21.00	19.50	18.00	2.00
60 GAL.	41.50	21.00	19.50	18.00	3.00
75 GAL.	46.50	21.00	19.50	18.00	3.00
100 GAL.	46.50	27.00	25.50	24.00	3.00
150 GAL.	46.50	39.00	37.50	36.00	3.00

* Depth dimension - Front-to-Back



REF# DESCRIPTION OF STANDARD EQUIPMENT

- 1 CONTROL PANEL
- 2 6-1/2" X 6-1/2" INSPECTION PLATE
- 3 6" x6" MOTOR MOUNTING PLATE
- 4 1-1/2" NPT - FUEL LEVEL GAUGE
- 5 FUEL INLET/OUTLET TO/FROM TANK w/DROP TUBES
- 6 2" x 1" NPT - ENGINE FUEL SUPPLY w/DROP TUBE
- 7 2" x 1" NPT - ENGINE FUEL RETURN w/DROP TUBE
- 8 2" NPT - TANK VENT TO ATMOSPHERE
- 9 1" NPT - DROP TUBES for ENGINE SUPPLY & RETURN
- 10 1" NPT - OVERFLOW TO MAIN STORAGE TANK
- 11 1/2" NPT - TANK DRAIN w/DROP TUBE (PLUGGED)
- 12 2" NPT - EXTRA CONNECTION
- 13 2" NPT - MANUAL FILL w/DROP TUBE

ADDITIONAL EQUIPMENT IF TANK IS U/L LISTED

- 40 NPT CONNECTION FOR U/L EMERGENCY RELIEF VENT (See Above Chart For Size)

CONSTRUCTION NOTES

- 1 - TANK TOP, BOTTOM, & SHELL - 12 GAUGE STEEL
- 2 - DIMENSIONS SUBJECT TO CHANGE WITHOUT NOTICE

MANUAL SINGLE WALL DAY TANK
 PY150M - PY150M
 PY150MUL - PY150MUL (U/L Listed Version)



DRAWN BY: RES | DATE: 03/01/2008
 CHECKED BY: DW | REV: 03/01/2008
 SHEET NO. 1 of 1 | DWG # MAN SW B